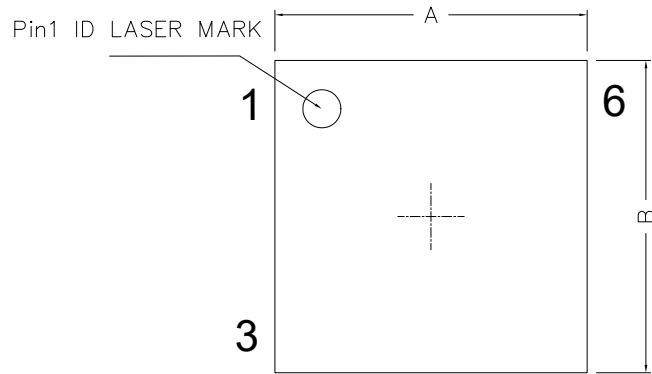
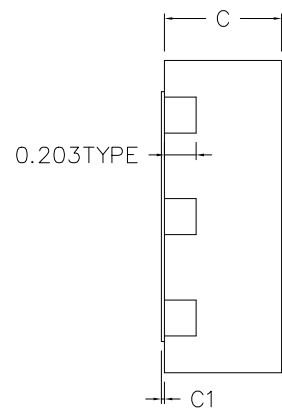


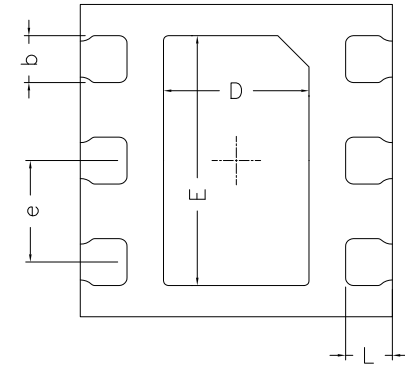
REVERSION	REVERSION RECORD	DATE	NAME
A	NEW DRAW	2021/6/17	ChenYJ
B	ADD PLATING LAYER DIMENSION	2022/7/20	ChenYJ



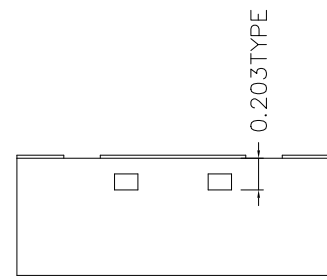
TOP VIEW



SIDE VIEW




BOTTEM VIEW



SIDE VIEW

COMMON DIMENSIONS (UNITS OF MEASURE IS mm)			
	MIN	NORMAL	MAX
A	1.900	2.000	2.100
B	1.900	2.000	2.100
C	0.700	0.750	0.800
C1	0.005	-	0.020
D	0.882	0.932	0.982
E	1.550	1.600	1.650
L	0.250	0.300	0.350
b	0.250	0.300	0.350
e	0.650 TYPE		

	深圳市金誉半导体股份有限公司
	SHENZHEN JINYU SEMICONDUCTOR CO.,LTD

THIRD ANGLE PROJECTION				SCALE	1:1	UNIT	mm
TOLERANCE				DESIGNER		DATE	
0	0.0	0.00	0.000	ChenYJ		2022.7.20	
				CHECKER		2022.7.20	
				APPROVER		2022.7.20	

DFN2x2-6L 0.75T		
0.65 PITCH		
DRG NO.	JY-POD-028	REV: B
FILE NO.	JY-RE-022-028	SHEET:1 OF 1